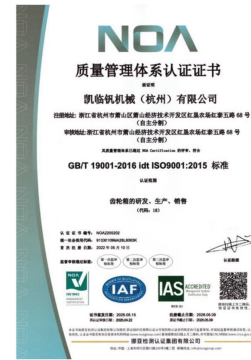




齿轮箱产品手册
GENERAL TECHNICAL CATALOGUE

PATENTS AND CERTIFICATES OF HONOR

专利与荣誉证书



PRODUCT CATALOGUE 产品目录



CULTIVATION SERIES GEARBOX

耕整机系列齿轮箱

P01~P21.



SQUARE BALER SERIES GEARBOX

方形打包机系列齿轮箱

P22~P34.



ROUND BALER SERIES GEARBOX

圆形打包机系列齿轮箱

P35~P42.



HYDRAULIC MOTOR CONNECTION BOX, SPREADER SERIES GEARBOX

液压电机连接箱、撒肥机系列齿轮箱

P43~P53.



DISC MOWER SERIES GEARBOX

圆盘式割草机系列齿轮箱

P54~P61.



ROTARY CUTTERS SERIES GEARBOX

旋转式割草机系列齿轮箱

P62~P75.



TEDDER, HAYRAKE, SILAGE SERIES GEARBOX

摊晒机、搂草机、青贮机系列齿轮箱

P76~P84.



MULCHER SERIES GEARBOX

棘轮系列齿轮箱

P85~P92.



CORN GRAIN HARVESTER SERIES GEARBOX

玉米籽粒收系列齿轮箱

P93~P98.



MULTIFUNCTIONAL SPEED RATIO SERIES GEARBOX

通用(多功能速比)系列齿轮箱

P99~P120.

CULTIVATION SERIES

耕整机系列



锐意创新 · 与时俱进 · 智造未来

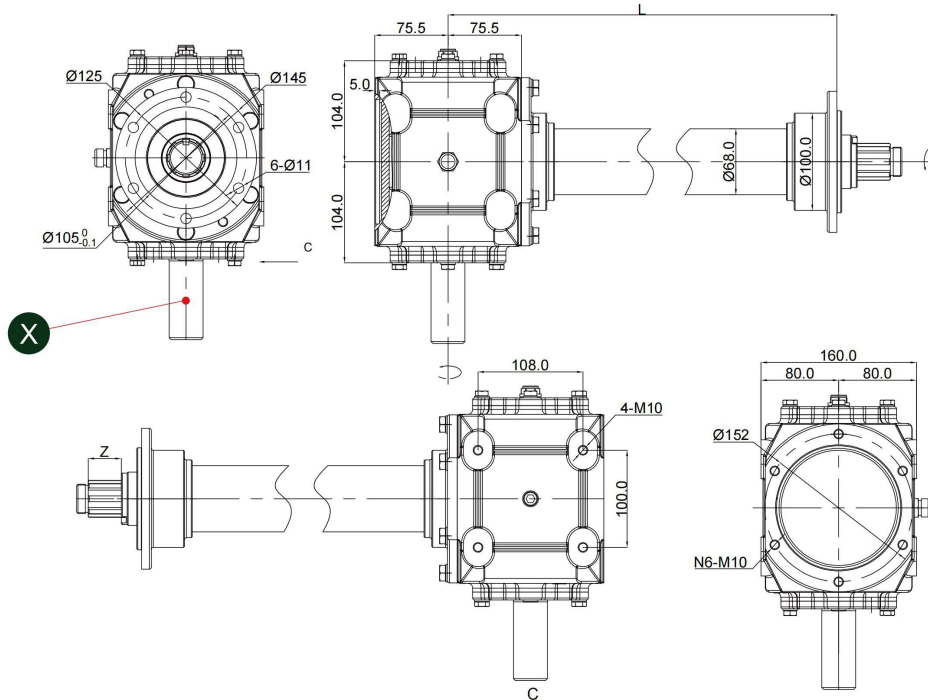
INNOVATIVE THINKING, KEEPING PACE WITH THE TIMES, SMARTLY CREATING THE FUTURE

KLF-XG160

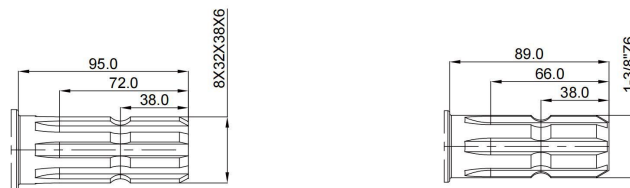
耕整机系列齿轮箱
GEARBOX



尺寸 DIMENSIONS



轴 SHAFTS



技术参数 TECHNICAL DATA

应用-USE	速比-RATIO	输入-INPUT				输出-OUTPUT	
		r.p.m	Hp	Kw	N.m	r.p.m	N.m
减速-SPEED REDUCER	1.31:1	540	41	30	530	412	696

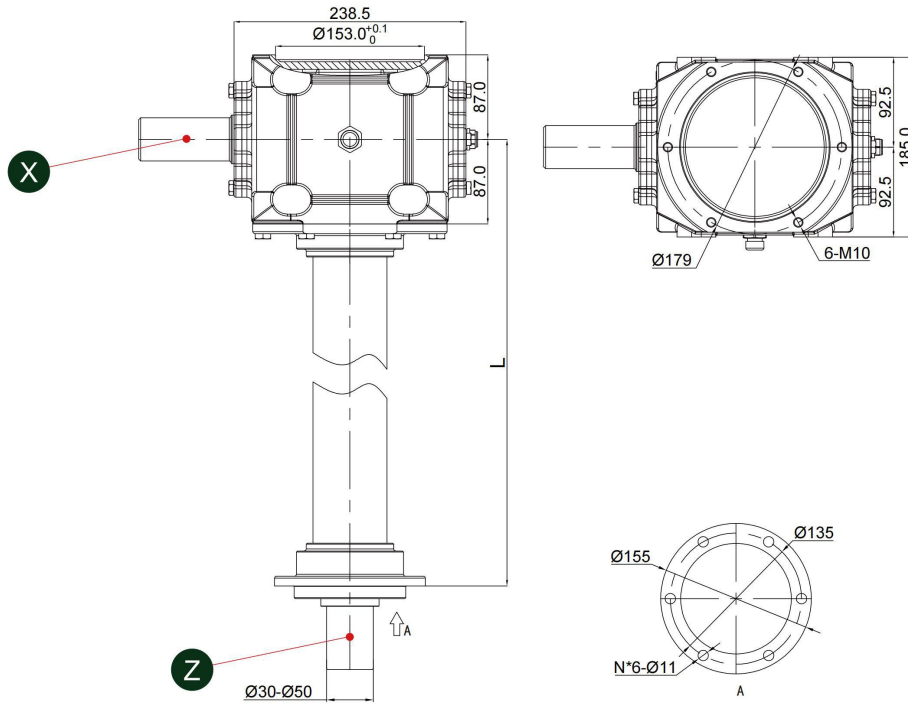
备注：如需其它要求可定制/REMARK: IF YOU HAVE ANY SPECIAL REQUIRE FEEL FREE LET ME KNOW, WE ALSO ACCEPT CUSTOM.

KLF-XG185 耕整机系列齿轮箱

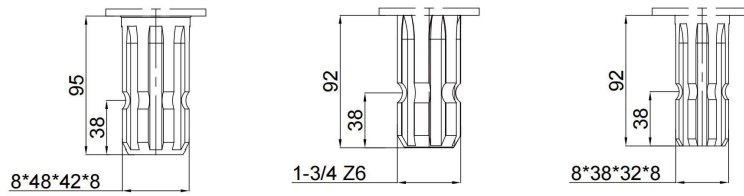
GEARBOX



尺寸 DIMENSIONS



轴 SHAFTS



技术参数 TECHNICAL DATA

应用-USE	速比-RATIO	输入-INPUT				输出-OUTPUT	
		r.p.m	Hp	Kw	N.m	r.p.m	N.m
减速-SPEED REDUCER	1.31:1	540	62	45	796	412	1043

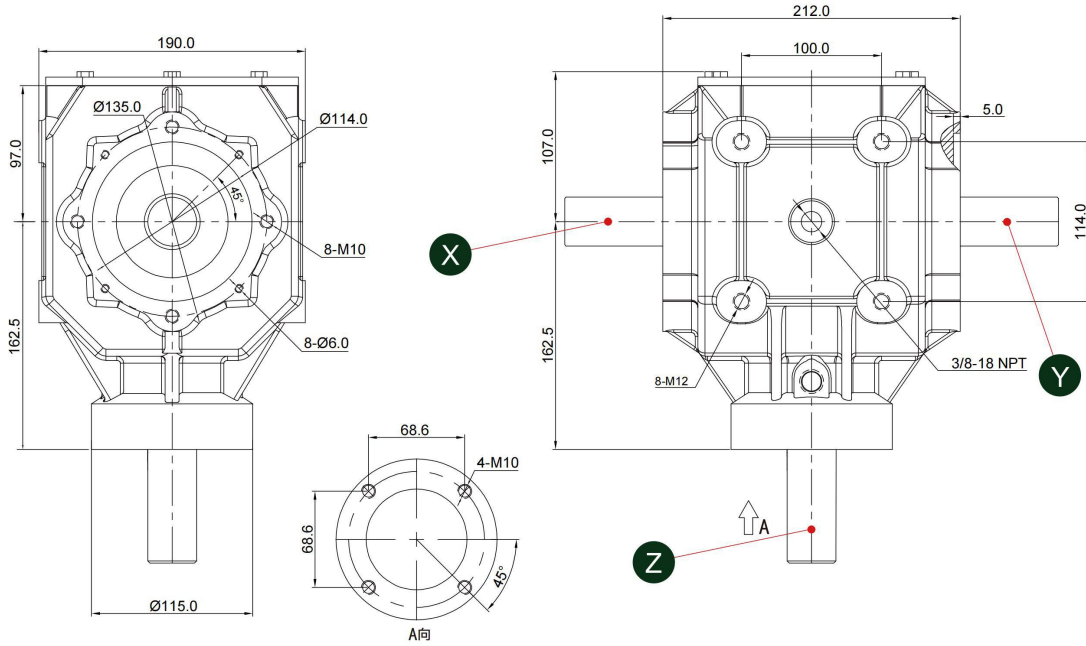
备注：如需其它要求可定制/REMARK: IF YOU HAVE ANY SPECIAL REQUIRE FEEL FREE LET ME KNOW, WE ALSO ACCEPT CUSTOM.

KLF190 耕整机系列齿轮箱

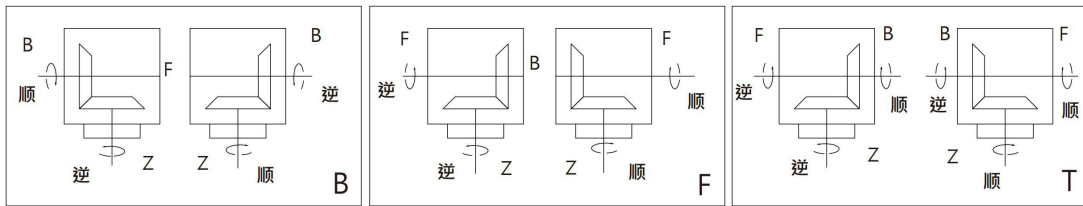
GEARBOX



尺寸 DIMENSIONS



转向 TURN



轴 SHAFTS

